

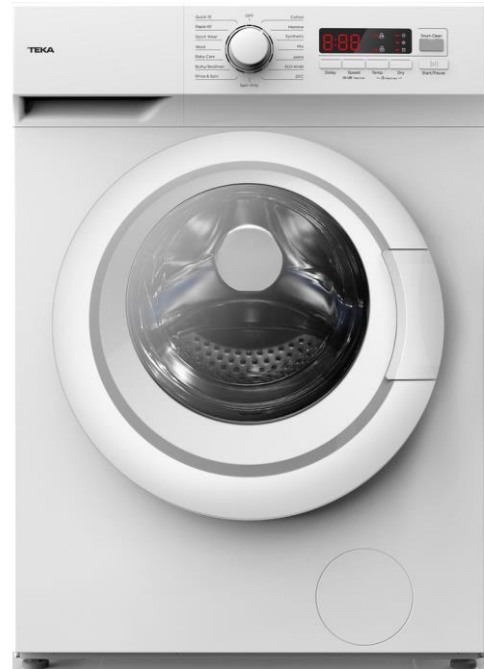
TK5 1470

Free-standing washer



Product description

- Free standing washing machine
- Washing capacity: 7 Kg
- Maximum spinning speed (RPM): 1400
- Electronic control panel white LED display
- Number of Programmes : 15
- Glass door diameter (CMS): 32
- Speed wash, add garment, extra rinse, Pre wash, Memory program
- Delayed timer
- Delay door opening
- Auto lock door
- Child lock
- Automatic regulation of water consumption
- Cancel spin cycle
- Delicate fabrics programme
- Intense programme
- Economy programme
- Fast Programme
- Noise level washing/spinning (dB): 62/79
- Drum capacity (LITRES): 45.5
- Spinning speeds (all setting):0-400-600-800-1000-1200-1400
- Annual Energy Consumption: 226 kWh
- Water Consumption: 48 litre
- Energy Efficiency Class: A+++ (EU)
- HK EMSD Energy Label: Grade 1



Country of Origin: China

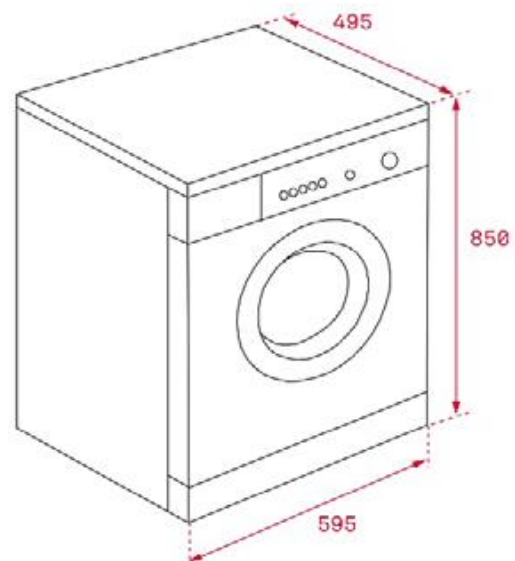
Photo for reference Only

External Dimensions

- H 850 mm
- W 595mm
- D 495 mm

Electric Connection – Technical Features

- Frequency (Hz): 50
- Power rate (V): 220-240
- Maximum Nominal Power (W): 2050
- Water efficiency: Grade 1



信興電工工程有限公司
Shun Hing Electric Works & Engineering Co., Ltd.