

# TKD 1491

## Free-standing washer



### Product description

- Free standing washing machine
- Washing capacity: 9 Kg
- Inverter Motor
- Washing Programs: 16
- Electronic control panel
- Digital display LCD
- Maximum spin speed: 1400 rpm
- Electronic washing management (Fuzzy Logic)
- Special Programs Wool, baby care and 15'
- Fast program 15 minutes
- 32 cm wide crystal door
- Function buttons for: temperature, spinning speed, remaining time and special functions
- Automatic water regulation
- Delay timer 1-24h
- Balance control system
- Locking system in case of lack of water or electricity
- Foam control system
- Maximum Spinning Speed 1,400 RPM
- Annual Energy Consumption: 230 kWh
- Water Consumption: 43 litre
- HK EMSD Energy Label: Grade 1



Photo for reference Only

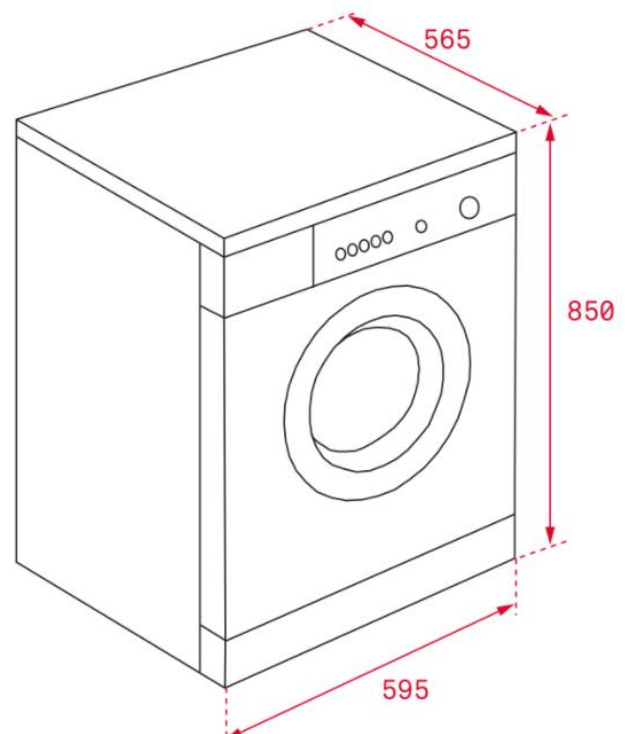
Country of Origin: China

### External Dimensions

- H 850 mm
- W 595 mm
- D 565 mm

### Electric Connection – Technical Features

- Frequency (Hz): 50
- Power rate (V): 220-240
- Maximum Nominal Power (W): 2000
- Water efficiency: Grade 1



信興電工工程有限公司  
Shun Hing Electric Works & Engineering Co., Ltd.